

# Size Considerations

## Mounting Depth Illustrations

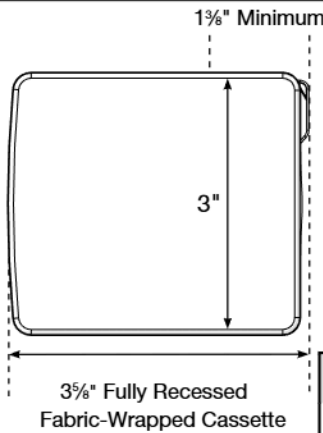
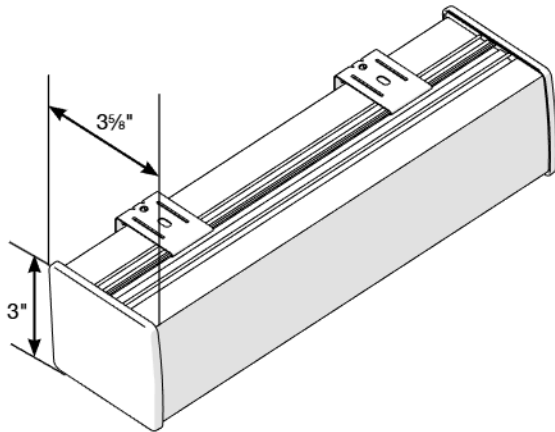
The following diagram illustrates the mounting depth requirements for shades mounted inside window casements.

Continuous Loop, Enclosed Loop, and Motorized Lift includes small cassettes.

Cordless Lift includes Medium and Large cassettes.

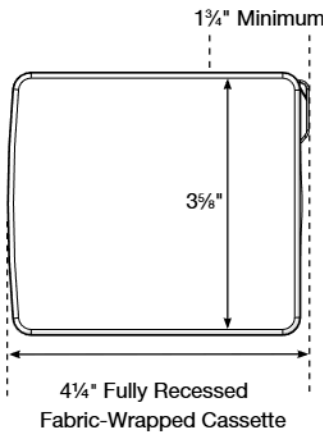
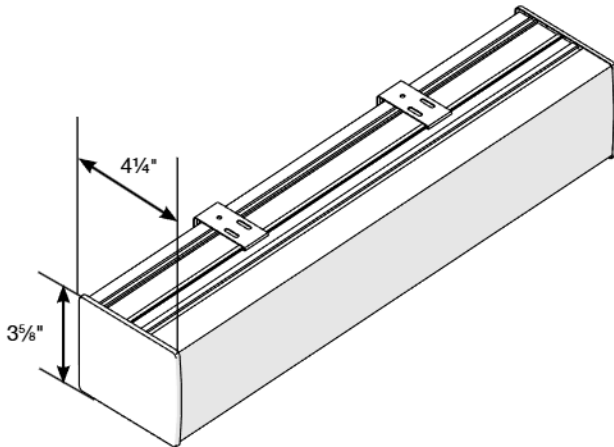
**NOTE:** Cassette sizes are determined by lift system and specific fabric requirements.

### Small Square Cassette (Continuous Loop, Enclosed Loop, and Motorized Lift Only)



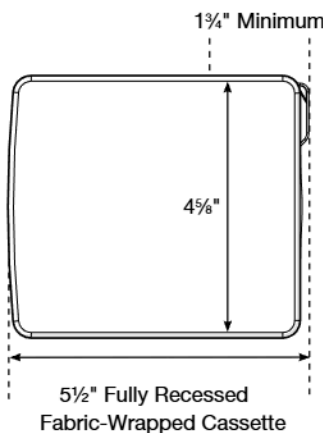
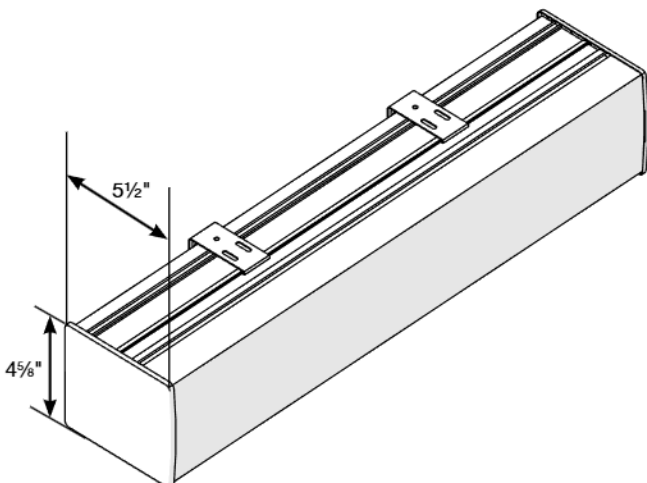
Minimum Mounting Depth	1 1/4"
Flush Mount Depth	3 5/8"

### Medium Square Cassette (Cordless Only)



Minimum Mounting Depth	1 1/4"
Flush Mount Depth	4 1/4"

### Large Square Cassette (Cordless Only)



Minimum Mounting Depth	1 1/4"
Flush Mount Depth	5 1/2"

# Size Considerations

## Mounting Depth Illustrations

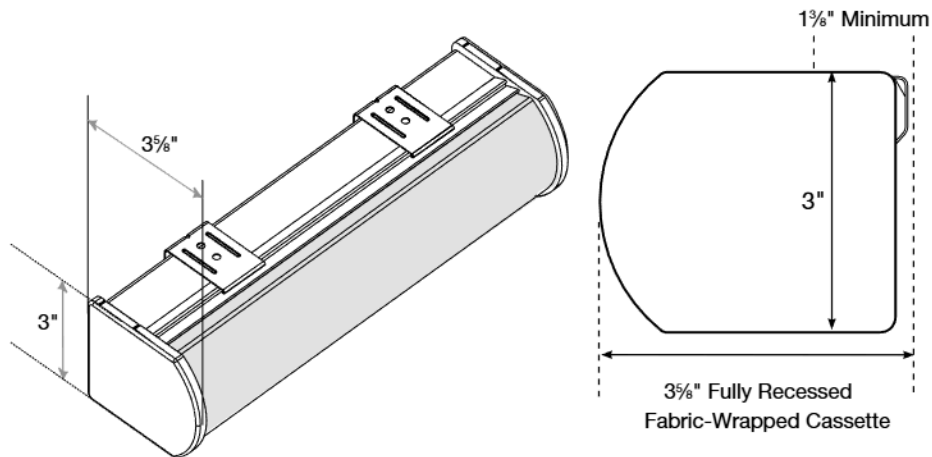
The following diagram illustrates the mounting depth requirements for shades mounted inside window casements.

Continuous Loop, Enclosed Loop, and Motorized Lift include small cassettes.

Cordless Lift includes Medium and Large cassettes.

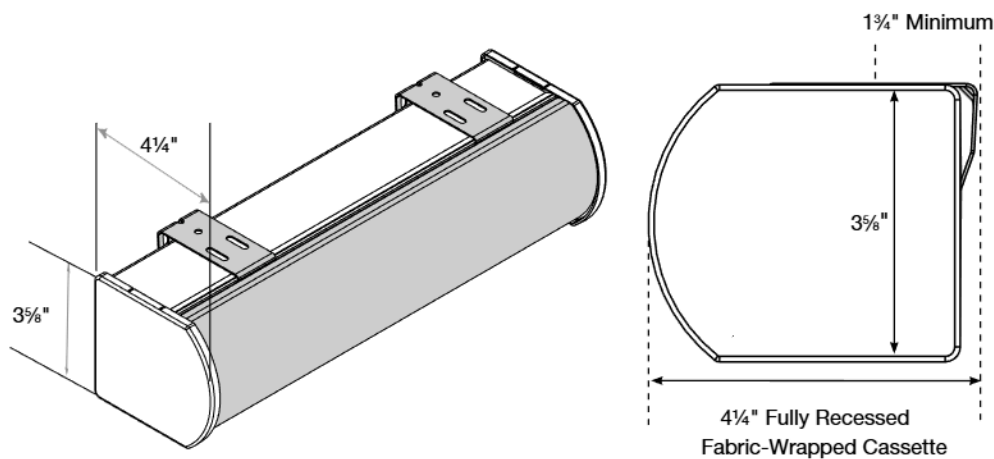
NOTE: Cassette sizes are determined by lift system and specific fabric requirements.

### Small Round Cassette (Continuous Loop, Enclosed Loop, and Motorized Lift Only)



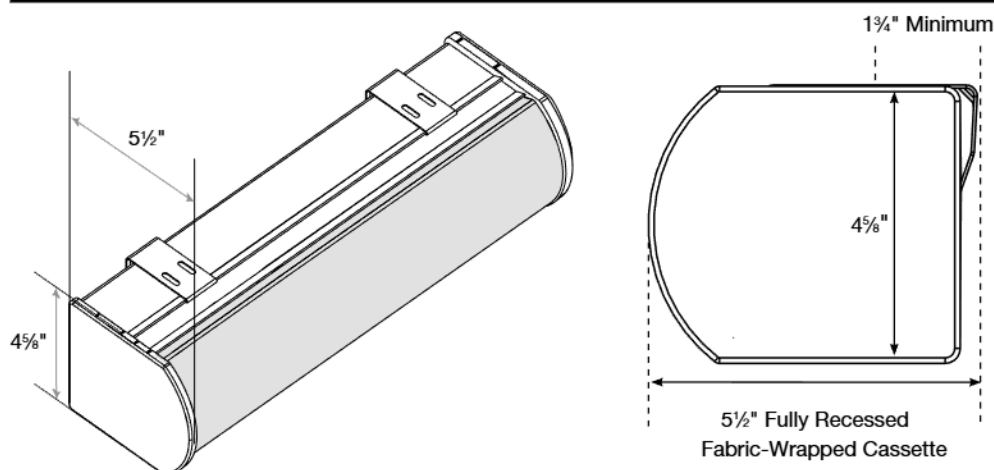
Minimum Mounting Depth	1 3/8"
Flush Mount Depth	3"

### Medium Round Cassette (Cordless Only)



Minimum Mounting Depth	1 1/4"
Flush Mount Depth	4 1/4"

### Large Round Cassette (Cordless Only)



Minimum Mounting Depth	1 1/4"
Flush Mount Depth	5 1/2"